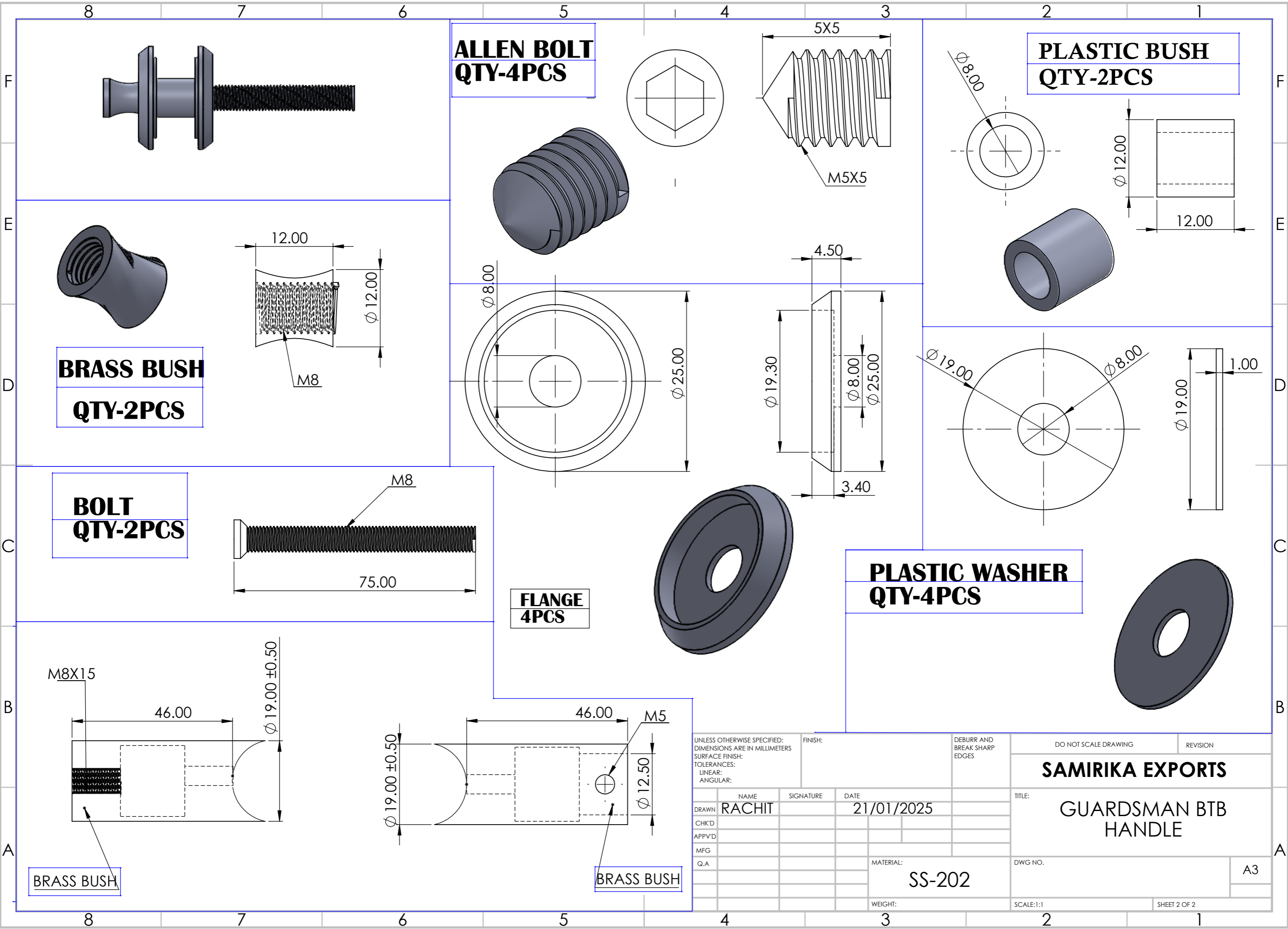


ITEM	C-C	L	H	FINISH	DESCRIPTION	PRODUCT CODE
19X425X525	425±1.2	525±1.5	65±1.0	MATT	19MM GUARDSMAN BTB HANDLE	14.03.13.07.BB
19X600X800	600±1.2	800±1.5	65±1.0	MATT	19MM GUARDSMAN BTB HANDLE	14.03.15.07.BB

UNLESS OTHERWISE SPECIFIED: DIMENSIONS ARE IN MILLIMETERS SURFACE FINISH: TOLERANCES: LINEAR: ANGULAR:			FINISH:	DEBURR AND BREAK SHARP EDGES	DO NOT SCALE DRAWING	REVISION
DRAWN RACHIT				SIGNATURE	DATE 21/01/2025	TITLE: GUARDSMAN BTB HANDLE
CHK'D						
APPV'D						
MFG						
Q.A				MATERIAL: SS-202	DWG NO.	A3
				WEIGHT:	SCALE:1:5	SHEET 1 OF 2



UNLESS OTHERWISE SPECIFIED:
 DIMENSIONS ARE IN MILLIMETERS
 SURFACE FINISH:
 TOLERANCES:
 LINEAR:
 ANGULAR:

FINISH:

DEBURR AND
 BREAK SHARP
 EDGES

DO NOT SCALE DRAWING

REVISION

SAMIRIKA EXPORTS

NAME	SIGNATURE	DATE
RACHIT		21/01/2025
CHK'D		
APPV'D		
MFG		
Q.A		

TITLE:
**GUARDSMAN BTB
 HANDLE**

MATERIAL:
SS-202

DWG NO. A3