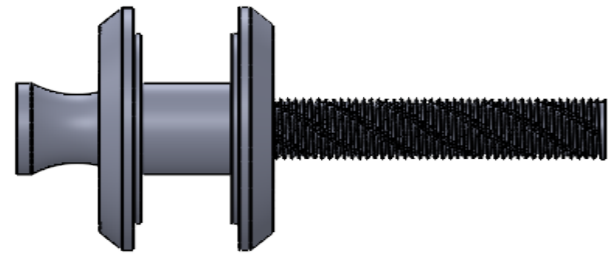
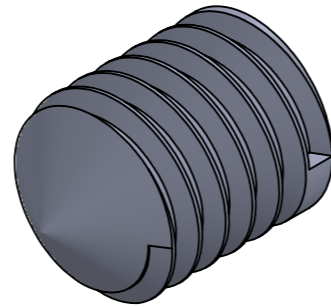
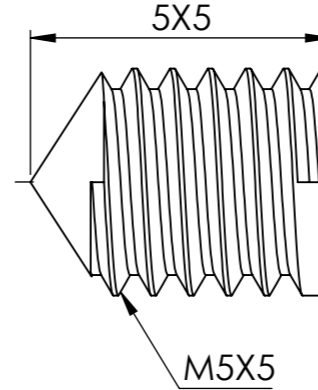
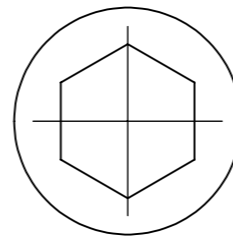


ITEM	C-C	L	H	FINISH	DESCRIPTION	PRODUCT CODE
19X425	425±1	444±1.5	65±1.2	MATT	19MM MITRED BTB HANDLE	14.02.13.07.BB
19X600	600±1.2	619±1.5	65±1.2	MATT	19MM MITRED BTB HANDLE	14.02.14.07.BB
19X900	900±1.2	919±1.5	65± 1.2	MATT	19MM MITRED BTB HANDLE	14.02.15.07.BB

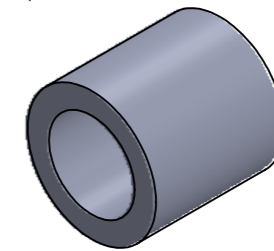
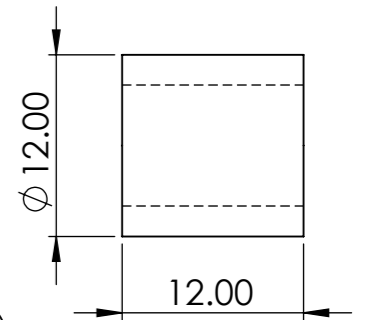
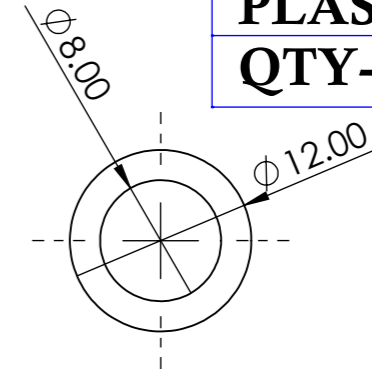
UNLESS OTHERWISE SPECIFIED: DIMENSIONS ARE IN MILLIMETERS			FINISH:		DEBURR AND BREAK SHARP EDGES		DO NOT SCALE DRAWING		REVISION	
SURFACE FINISH:							SAMIRIKA EXPORTS			
TOLERANCES:									TITLE:	
LINEAR:							19MM MITRED BTB HANDLE			
ANGULAR:							DWG NO.		A3	
DRAWN			NAME		SIGNATURE		DATE			
CHK'D			RACHIT				21/01/2025			
APPV'D										
MFG										
Q.A							MATERIAL:			
							SS-202			
							WEIGHT:			
							SCALE:1:2		SHEET 1 OF 2	



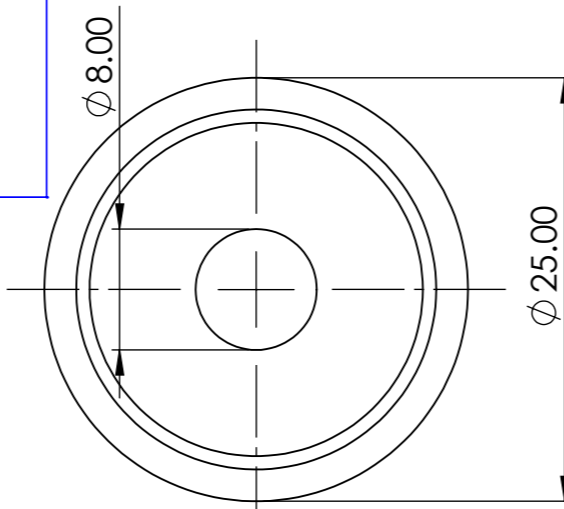
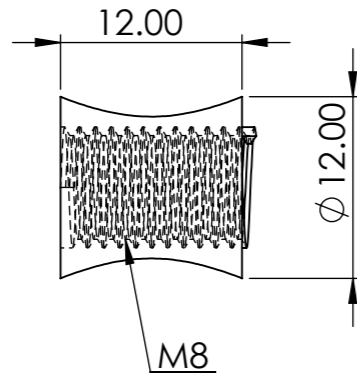
**ALLEN BOLT
QTY-4PCS**



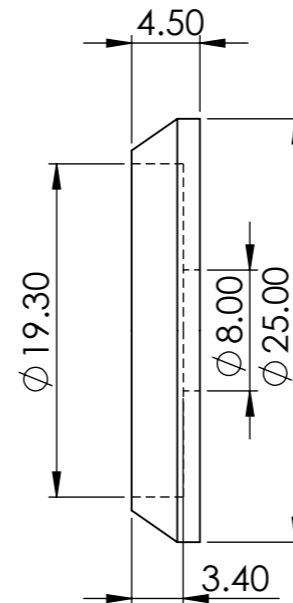
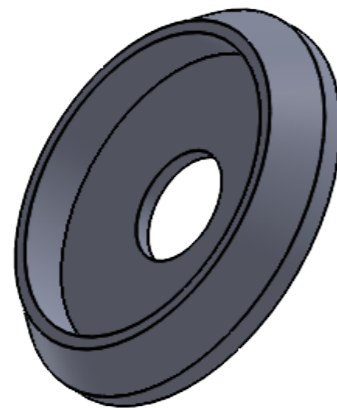
**PLASTIC BUSH
QTY-2PCS**



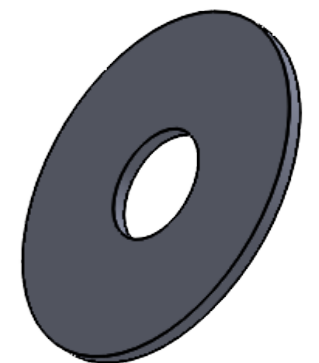
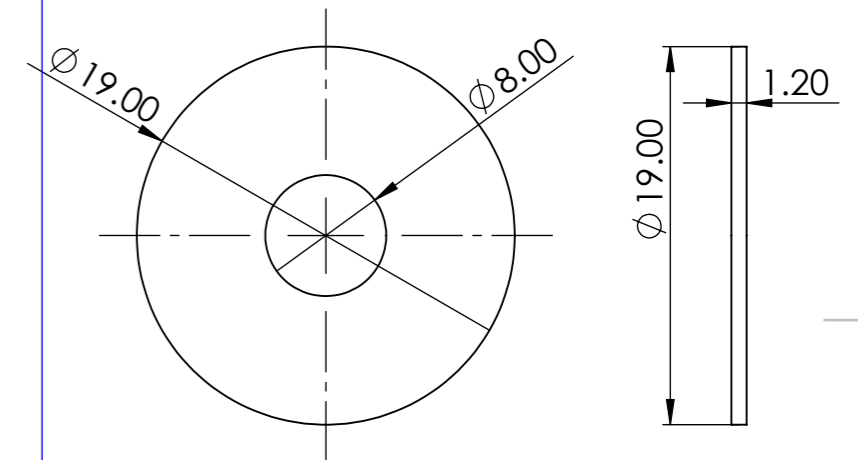
**BRASS BUSH
QTY-2PCS**



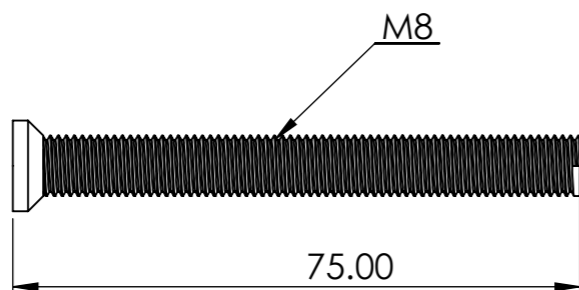
**FLANGE
4PCS**



**PLASTIC WASHER
QTY-4PCS**



**BOLT
QTY-2PCS**



UNLESS OTHERWISE SPECIFIED: DIMENSIONS ARE IN MILLIMETERS			FINISH:		DEBURR AND BREAK SHARP EDGES		DO NOT SCALE DRAWING		REVISION	
SURFACE FINISH:							SAMIRIKA EXPORTS		TITLE: 19MM MITRED BTB HANDLE	
TOLERANCES:										
LINEAR:							DRAWN		DATE	
ANGULAR:							RACHIT		21/01/2025	
							CHK'D			
							APPV'D			
							MFG			
							Q.A			
							MATERIAL:		SS-202	
							WEIGHT:		SCALE:1:1	
							DWG NO.		A3	
							SHEET 2 OF 2			